



System ID# FC822

Step-by-step installation instructions:

1. Ensure the aperture is free from dust and debris.
2. Exposed side: Install AGNI-Seal into the annular gap between the service and plasterboard to the full depth of the plasterboard.
Unexposed side: Service doesn't penetrate plywood lining.



Technical Information

Substrate	• Fire-rated plasterboard ceiling (min. one layer of 13mm plasterboard or greater)
Service range	Sprinkler head & steel pipe
Annular gap	2mm - 10mm
AGNI-Products	AGNI-Seal
Protection installation	Asymmetrical - installed on the fire side only

Compliance Information

Standards	AS1530.4-2014, AS4072.1-2005
FRR/FRL	-/45/45 in a ceiling with FRR 45/45/45 -/60/60 in a ceiling with FRR 60/60/60
Reference	PF24079 AP-086



Agnitek[®]
FIRE RATED TECHNOLOGY

8 Clare St Bayswater
VIC 3153, AUSTRALIA
www.agnitek.com.au

Disclaimer

Agnitek reserves the right to modify product specifications without prior notice due to its ongoing research, development & certification programme. The information in this document is provided in good faith and is intended for guidance purposes only. Any accompanying drawings are solely for illustrative purposes. Since Agnitek cannot oversee installation methods or ensure site conditions, no warranties, expressed or implied, are intended regarding the products' actual performance. We do not accept liability for any loss, damage, or injury from using this information. Please take a look at the test reports displayed on a relevant AGNI-System webpage for all compliance specifics.

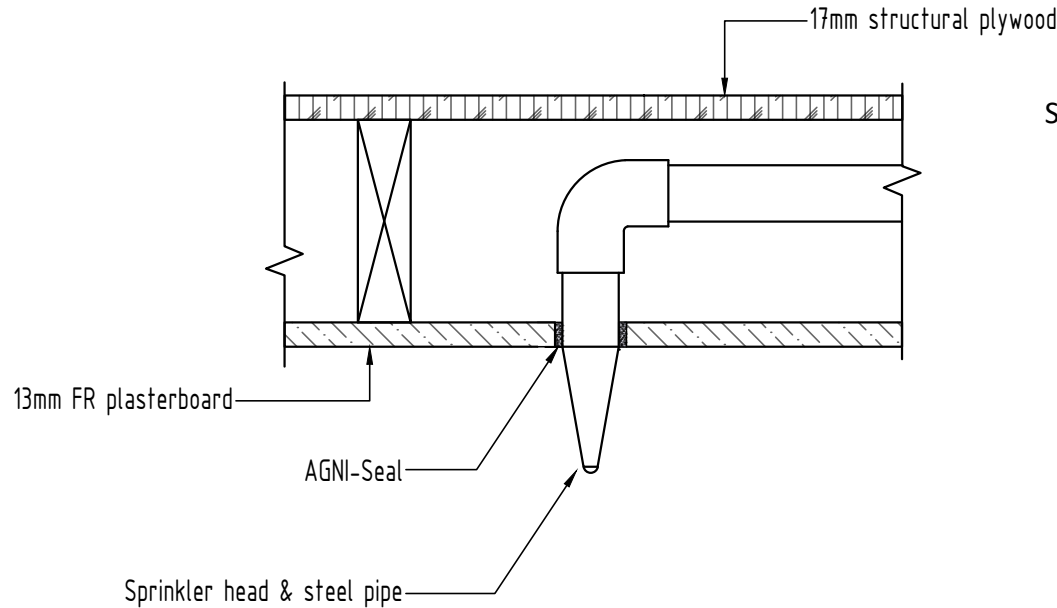
Date 16.08.2024



FIRESTOP CENTRE

Authorised New Zealand Distributor
Ph (09) 483 4000 www.firestopcentre.co.nz

AGNI-Seal in 13mm Plasterboard Ceiling Sprinkler Head and Steel Pipe Up to FRR -/60/60



System ID# FC822



Agnitek[®]
FIRE RATED TECHNOLOGY

8 Clare St Bayswater
VIC 3153, AUSTRALIA
www.agnitek.com.au

Technical Information

Substrate	• Fire-rated plasterboard ceiling (min. one layer of 13mm plasterboard or greater)
Service range	Sprinkler head & steel pipe
Annular gap	2mm - 10mm
AGNI-Products	AGNI-Seal
Protection installation	Asymmetrical - installed on the fire side only

Compliance Information

Standards	AS1530.4-2014, AS4072.1-2005
FRR/FRL	-/45/45 in a ceiling with FRR 45/45/45 -/60/60 in a ceiling with FRR 60/60/60
Reference	PF24079

Disclaimer

Agnitek reserves the right to modify product specifications without prior notice due to its ongoing research, development & certification programme. The information in this document is provided in good faith and is intended for guidance purposes only. Any accompanying drawings are solely for illustrative purposes. Since Agnitek cannot oversee installation methods or ensure site conditions, no warranties, expressed or implied, are intended regarding the products' actual performance. We do not accept liability for any loss, damage, or injury from using this information. Please take a look at the test reports displayed on a relevant AGNI-System webpage for all compliance specifics.

Date	16.08.2024
------	------------